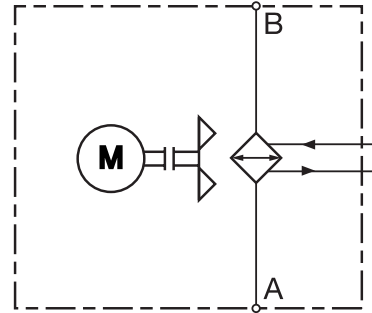


ELD Series Air Cooled Oil Coolers for Mobile Applications

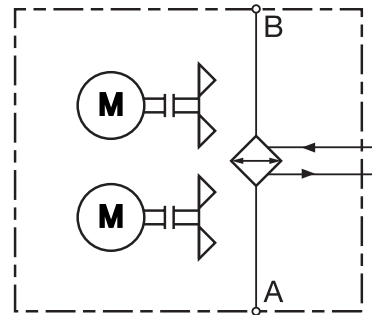


Hydraulic Symbol

Sizes 1 - 4.5



Sizes 5 - 6



Description

These coolers use a combination of high performance cooling elements combined long life DC electrical powered fans to give long trouble free operation in mobile hydraulic applications. The compact design allows the coolers to fit most equipment and provide the highest cooling performance in heat dissipation while minimizing space required.

Features

- Most coolers are designed with the inlet/outlet ports facing toward the back to help reduce fittings
- Available with internal pressure bypass
- All units feature a built in thermostat port
- 12 and 24 volt DC fans
- Up to 50 HP cooling capacity
- Rated flows up to 45 gpm
- Motor lifetimes up to 8,000 hours

Applications



Agricultural



Automotive



Construction

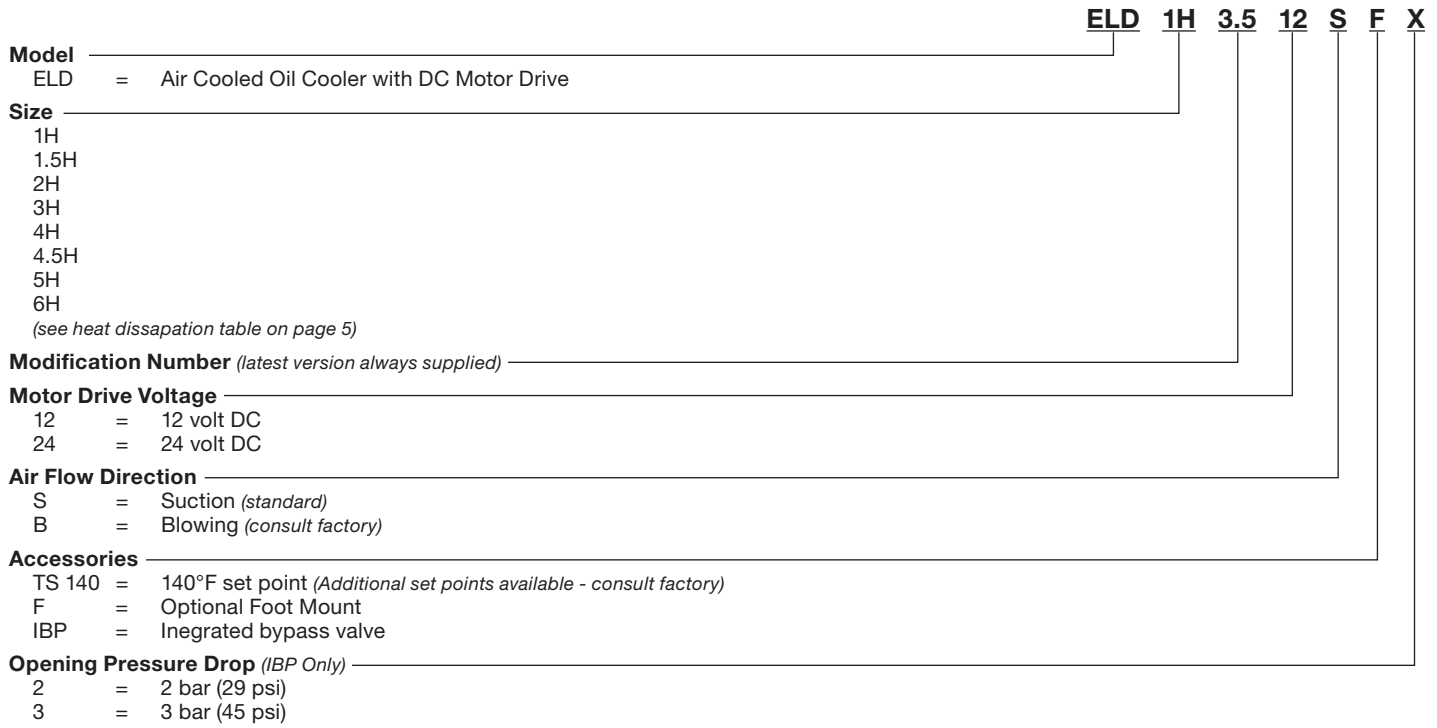


Commercial
Municipal



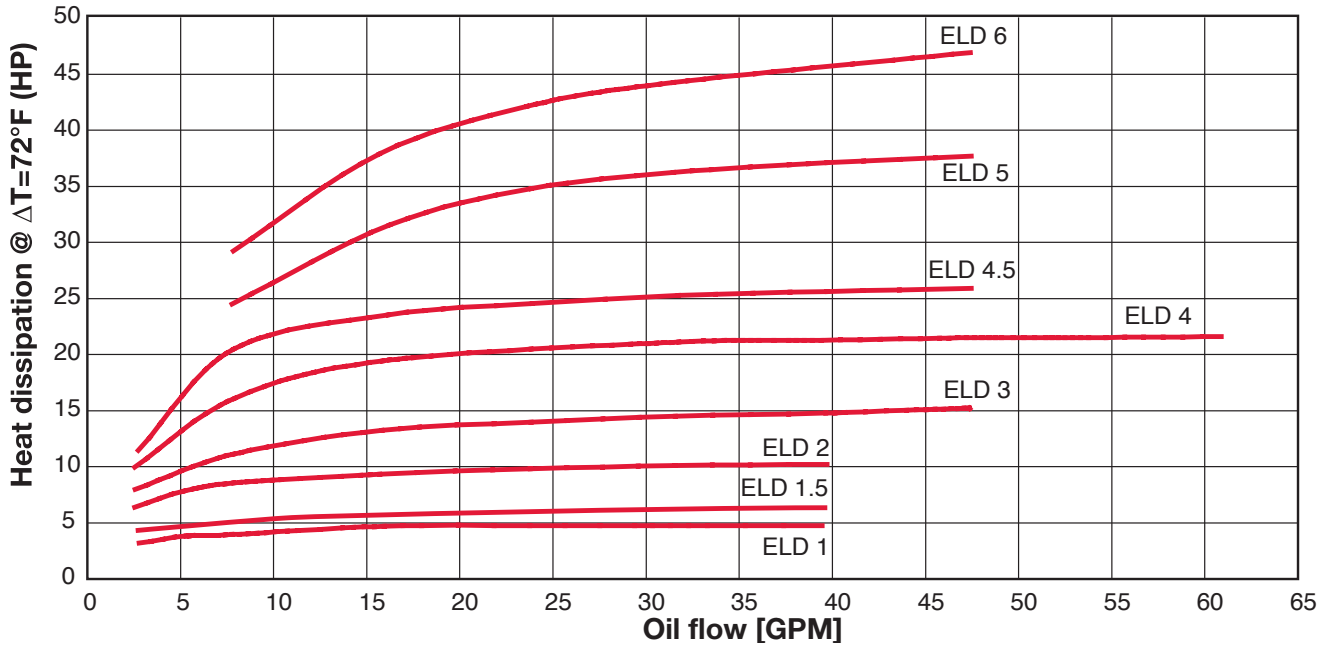
Railways

Model Code

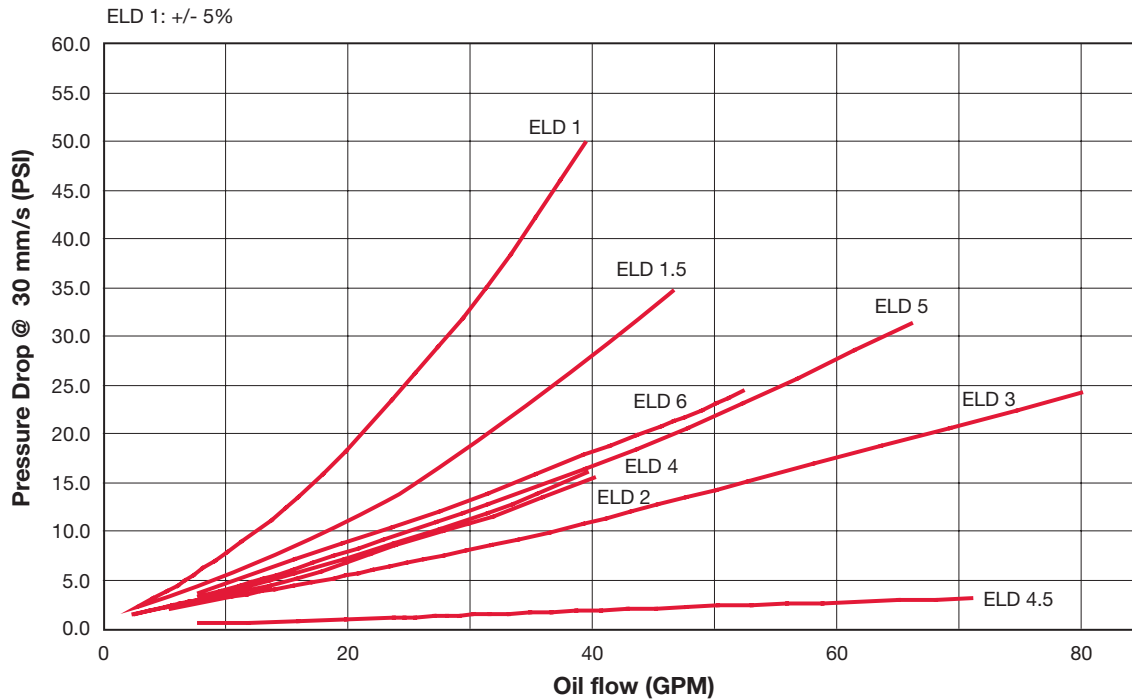


ELD Series Heat Dissipation

Tolerance: +/- 5%



Pressure Drop



*Values measured at T = 72°F, may vary at lower dT values

*Pressure Drop Curves above using fluid with a viscosity of 30 mm²/s.
For other viscosities the result must be multiplied by the K Factors below.

Viscosity (SSU)	46	70	102	150	213	250	315	464	695
Viscosity (mm ² /s)	10	15	22	32	46	54	68	100	150
K Factor	0.5	0.65	0.77	1	1.3	1.52	1.9	2.8	5.3

Engineering Data

Size	Motor Capacity (kW)	Amp Draw	Recommended Fuse (A)	Protection Class IP	Fan Diameter (mm)	Noise Level dBa* (1 meter)	Weight (lbs.)
ELD 1 12 volt / 24 volt	0.11 / 0.11	8 / 3.2	15 / 7.5	67	190	73	8.8
ELD 1.5 12 volt / 24 volt	0.11 / 0.11	8 / 3.2	15 / 7.5	67	190	73	8.8
ELD 2 12 volt / 24 volt	0.16 / 0.16	9.4 / 5.2	20 / 15	67	255	74	20.688
ELD 3 12 volt / 24 volt	0.26 / 0.26	17.5 / 8.0	25 / 20	67	305	79	24.2
ELD 4 12 volt / 24 volt	0.35 / 0.35	22.5 / 10.5	30 / 20	67	385	76	34.98
ELD 4.5 12 volt / 24 volt	0.35 / 0.35	22.5 / 10.5	30 / 20	67	385	76	48.4
ELD 5 12 volt / 24 volt	0.53 / 0.53	35.0 / 16.0	2x25 / 2x20	67	305	80	66.66
ELD 6 12 volt / 24 volt	0.69 / 0.69	45.0 / 21.0	2x30 / 2x20	67	385	77	80.52

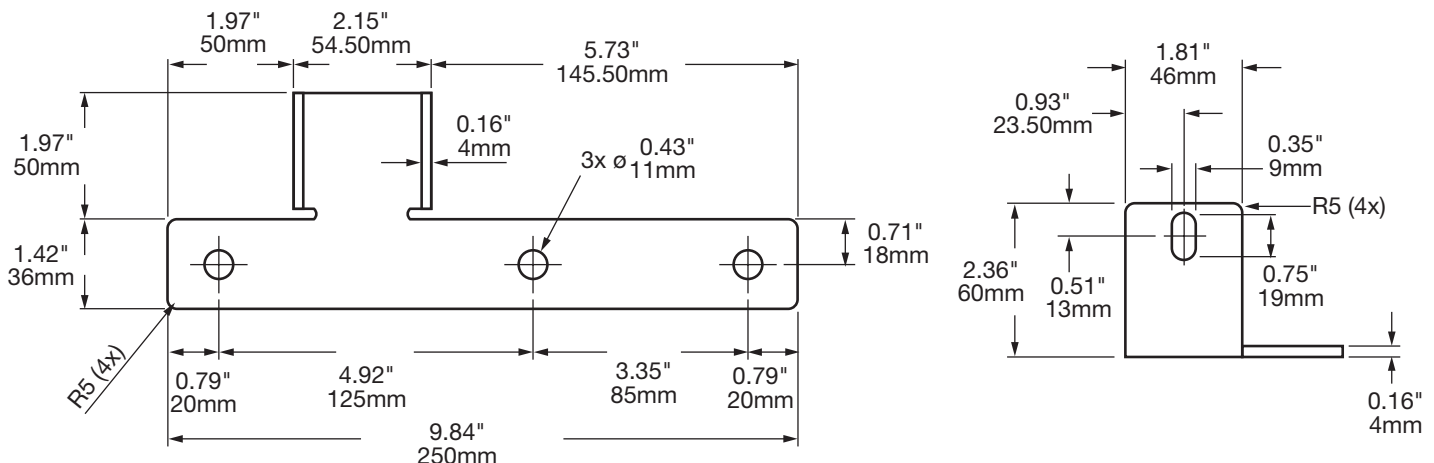
*The noise levels are only a guide as acoustic properties vary and depend on the characteristics of the room, connections, viscosity, and resonance.

Construction

Housing	Welded Steel
Heat Exchanger	Aluminum
Fan	Plastic
Maximum Viscosity	2000 cst.
Maximum Oil Temperature	266°F
Maximum Operating Pressure	230 psi
Mounting Position	All positions
Fan Rotation	See arrow on fan
Fluids	Mineral Oil to Din 51524 Part 1 and 2

Accessories

Foot Bracket - ELD 2-6 & ELH 2-5

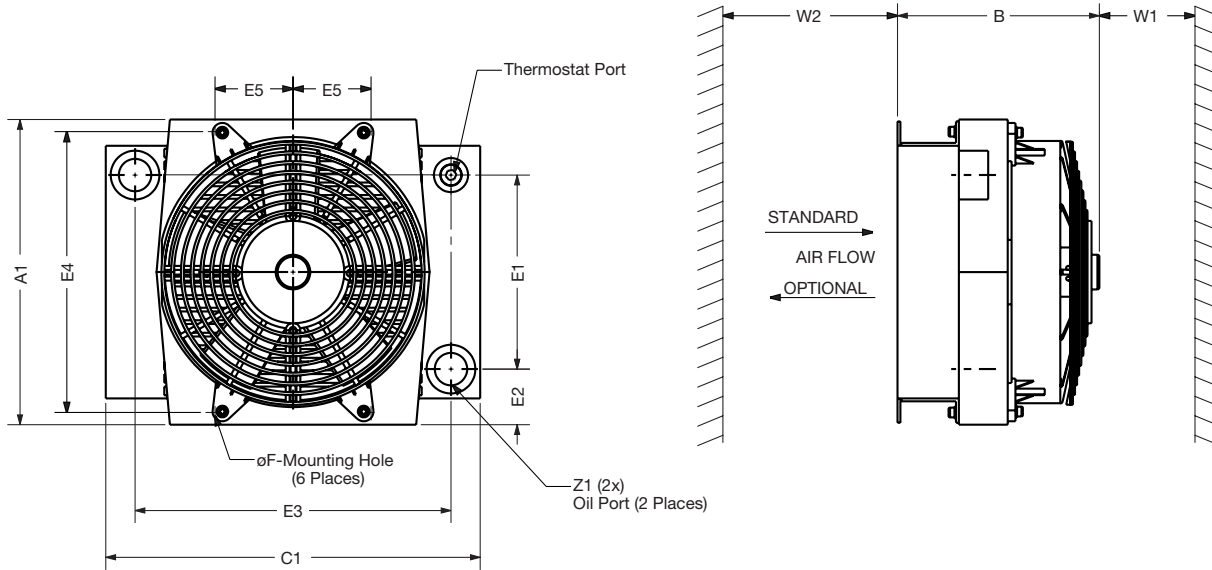


Dimensions are for general information only, all critical dimensions should be verified by requesting a certified print.
Dimensions are in inches/(mm).

ELD Series

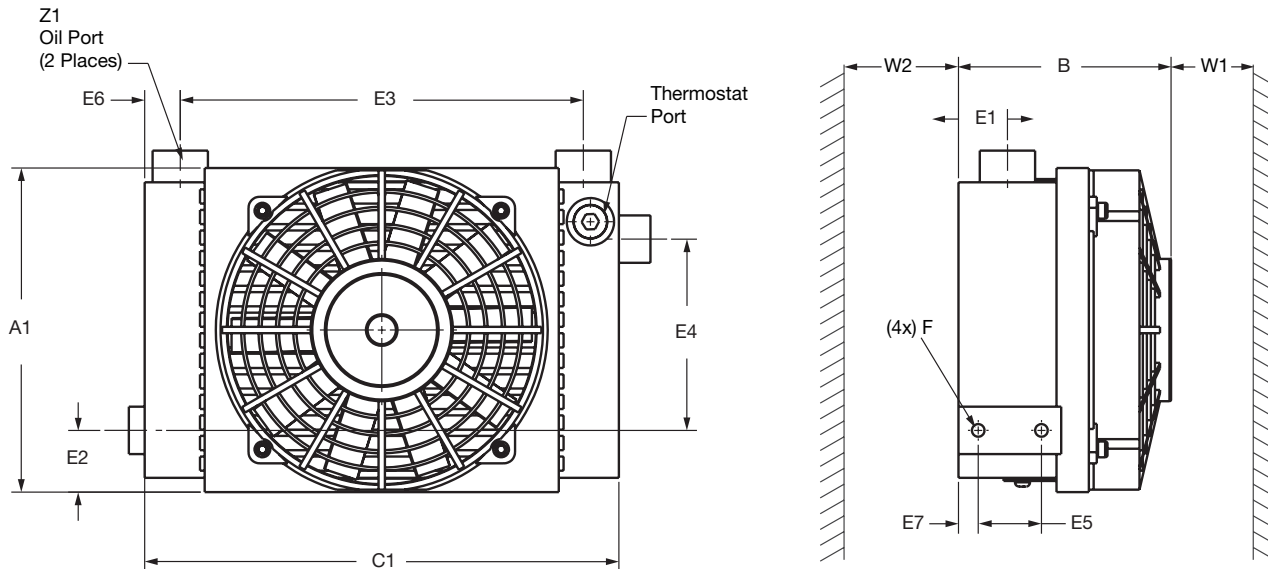
Dimensions

Sizes 1 - 4



Size	A1	B	C1	E1	E2	E3	E4	E5	F	W1	W2	Z1	Thermostat Port
ELD 1	9.65	4.72	11.81	4.92	2.36	9.84	8.86	3.54	0.35	7.87	3.94	1 1/16"-12 UN	1/2" NPT
ELD 2	12.32	8.27	15.12	7.83	2.24	12.76	11.34	3.15	0.55 x 0.4	9.84	5.91	1 5/16"-12 UN	1/2" NPT
ELD 3	14.02	8.27	16.54	9.06	2.48	14.57	12.95	3.94	0.55 x 0.4	11.81	7.09	1 5/16"-12 UN	1/2" NPT
ELD 4	17.72	7.83	19.69	11.38	3.17	17.72	16.57	5.91	0.63 x 0.4	15.75	7.87	1 5/16"-12 UN	1/2" NPT

Size 1.5



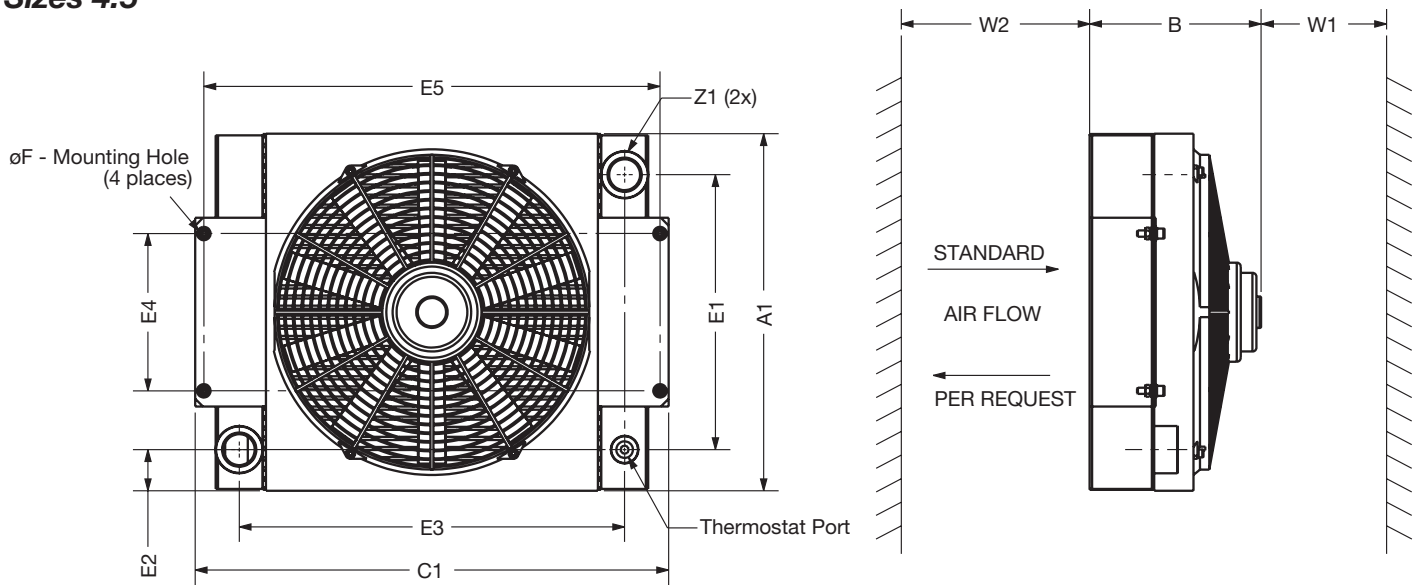
Size	A1	B	C1	E1	E2	E3	E4	E5	E6	E7	F	W1	W2	Z1	Thermostat Port
ELD 1.5	8.07	5.30	11.81	1.22	1.54	10.04	4.76	1.57	0.89	0.49	5/16"-18 UNC	0.31	0.16	1 1/16"-12 UN	1/2" NPT

Dimensions are for general information only, all critical dimensions should be verified by requesting a certified print.
Dimensions are in inches.

ELD Series

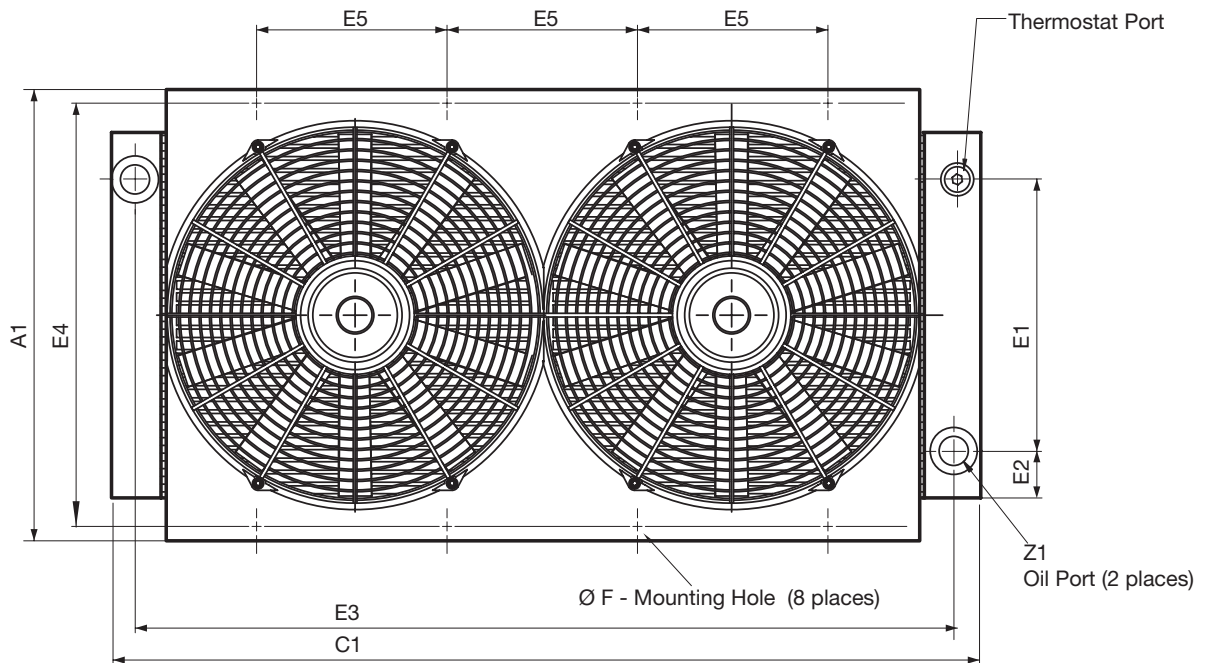
Dimensions

Sizes 4.5



Size	A1	B	C1	E1	E2	E3	E4	E5	F	W1	W2	Z1	Thermostat Port
ELD 4.5	17.87	8.58	23.70	13.78	2.05	19.29	7.87	11.42	0.472	15.75	7.87	1 5/8"-12 UN	1/2" NPT

Sizes 5 - 6



Size	A1	B	C1	E1	E2	E3	E4	E5	F	W1	W2	Z1	Thermostat Port
ELD 5	18.70	9.25	31.89	12.64	3.03	29.53	17.72	6.69	0.63 x 0.35	15.75	7.87	1 5/8"-12 UN	1/2" NPT
ELD 6	20.94	8.86	37.40	14.69	3.11	35.04	19.80	7.87	0.71 x 0.35	19.69	9.84	1 5/8"-12 UN	1/2" NPT

Dimensions are for general information only, all critical dimensions should be verified by requesting a certified print.
Dimensions are in inches.